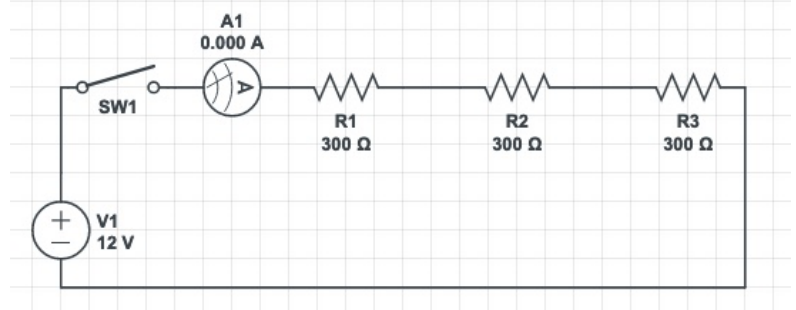


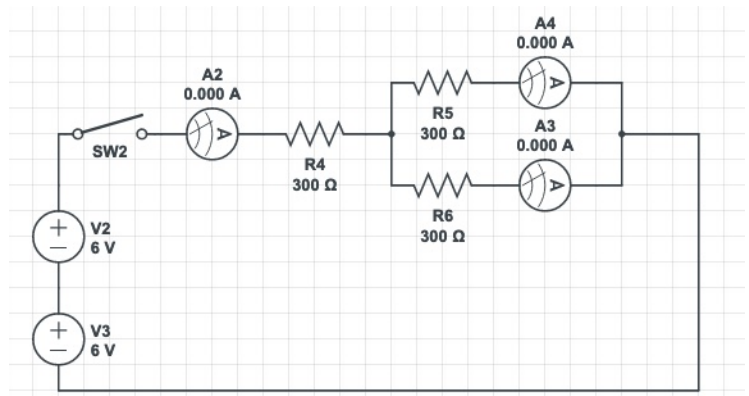
Circuit 1:

- Explain the way of connection between R1, R2 and R3.
- Calculate the total resistance.
- Calculate the value measured by A1.
- Is the current through all the resistors the same?
- What is the function of SW1?
- As all the resistors have the same value, calculate the voltage that a voltmeter would measure if it's connected to R2



Circuit 2:

- Calculate de total voltage.
- Explain the connections between R5 and R6, and also between R4 with the other two resistors.
- If A2 measures 0.0267 A and A4 measures 0.0133 A, calculate the value measured by A3.



- Calculations: Power and Energy.
 - We use an oven with a power of 2400 W, if it's connected to 230 V. Calculate the current and also the energy if it's connected 45 min.
 - We use a battery charger of 3.2V, generating a current of 0,7 A and lasting 40 min to charge a cell phone. Calculate the power, total charge and energy.
 - If a current of 3 A is flowing through a wire, connected to 24 V. Calculate power, Energy in 10 min and total charge.