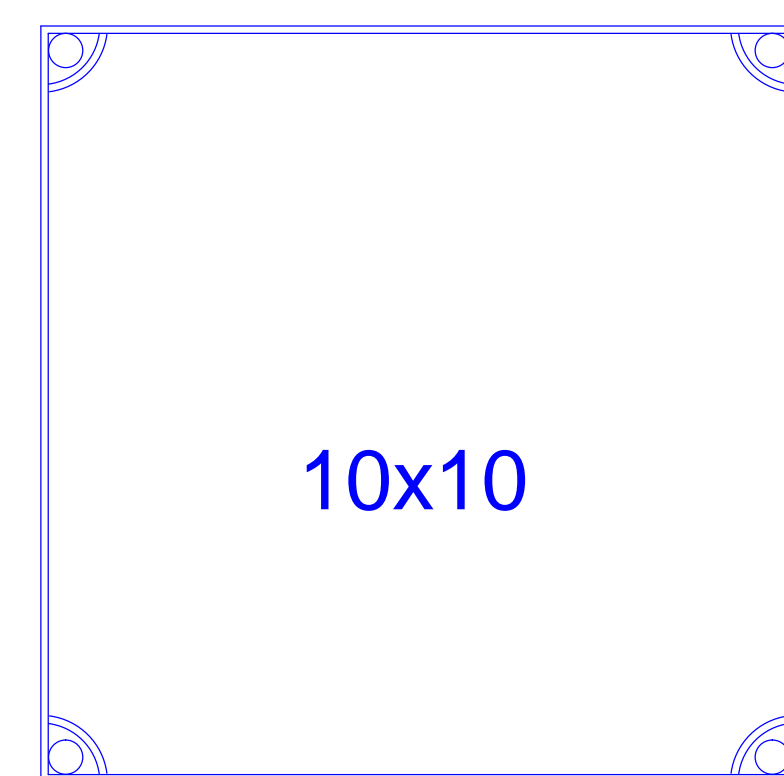
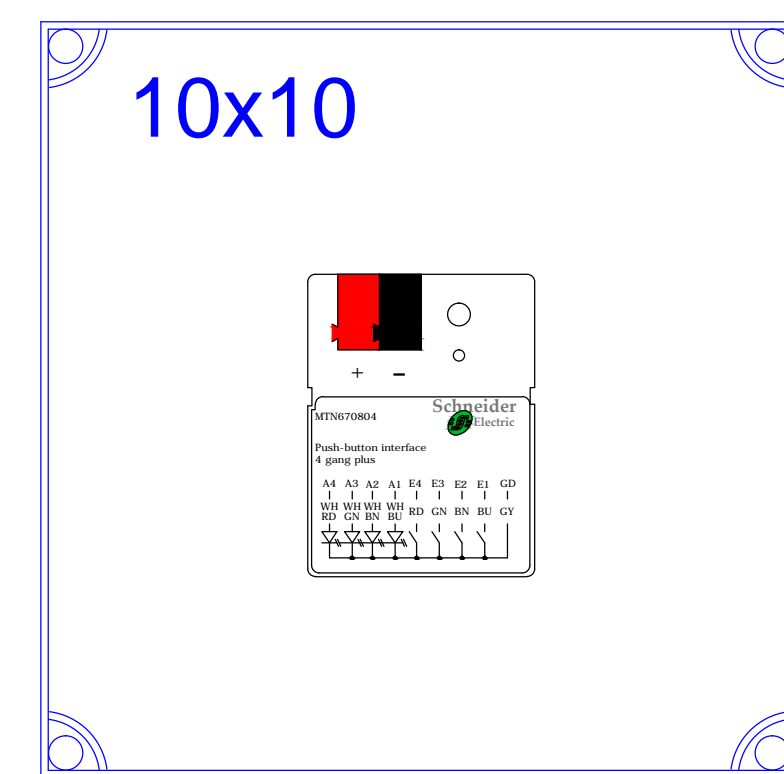
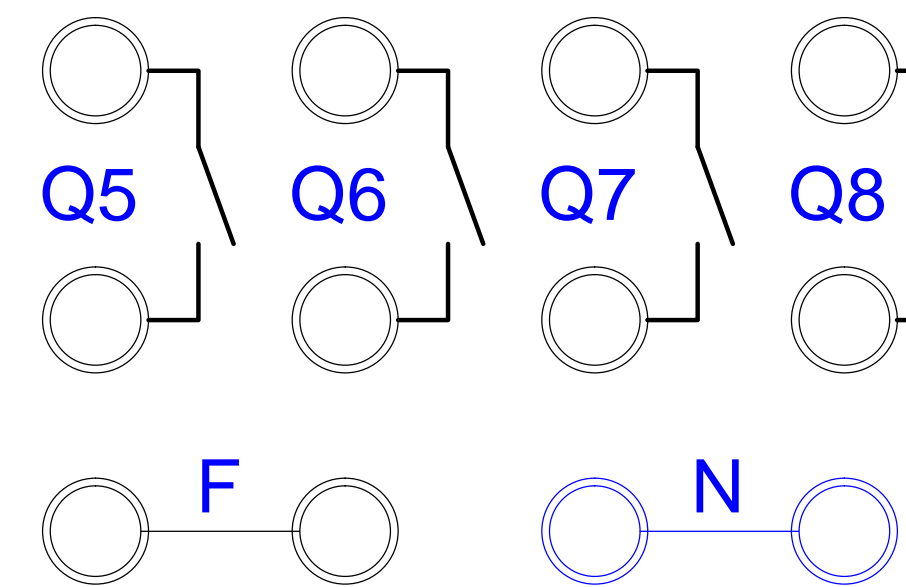
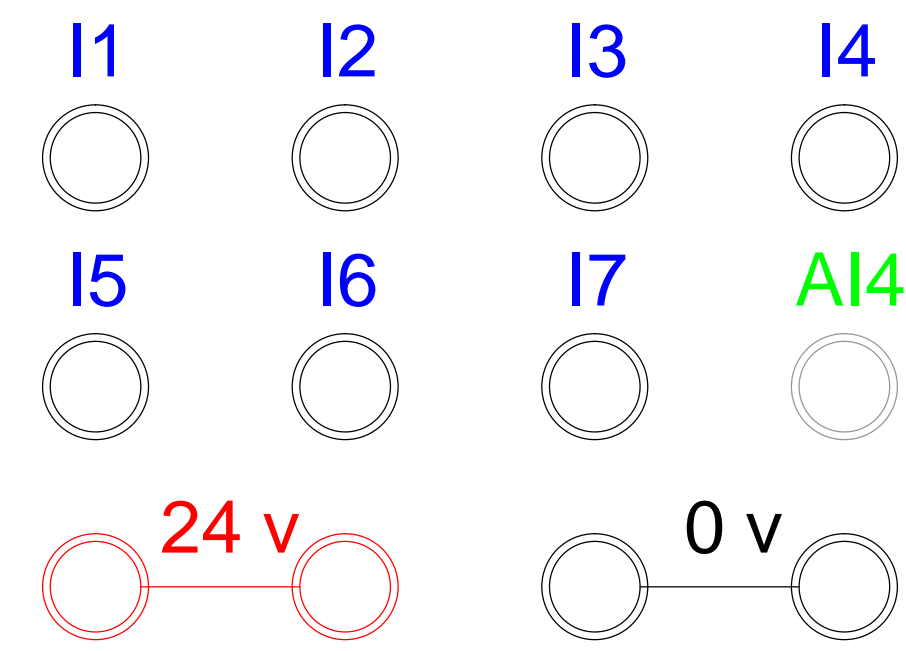


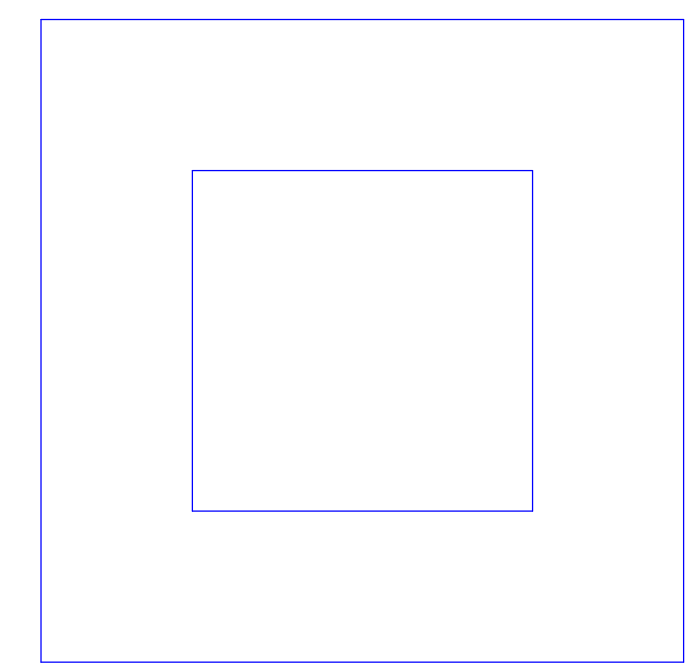
E/S Libres Miniserver



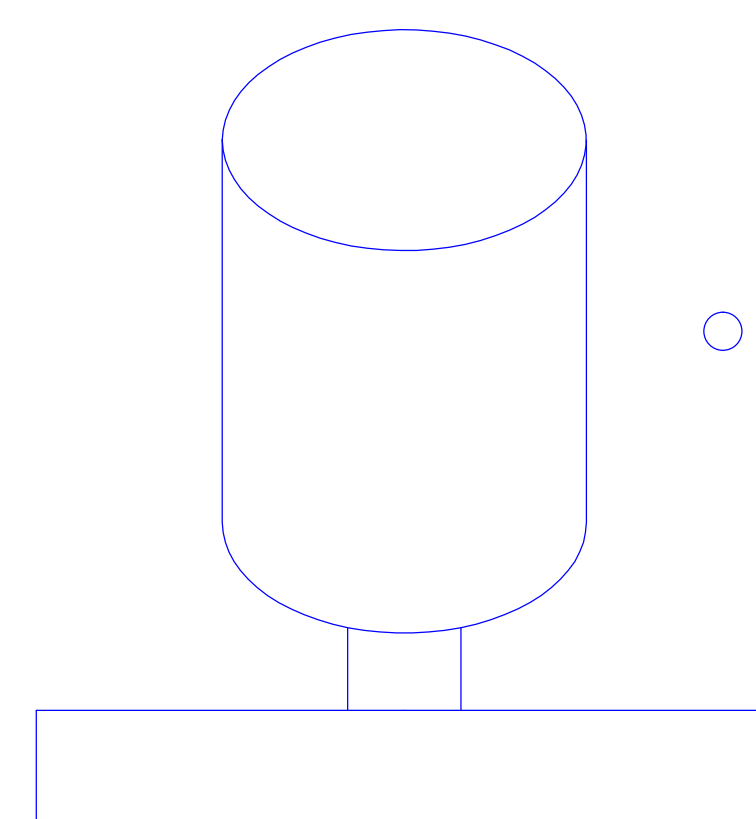
ZONA 1



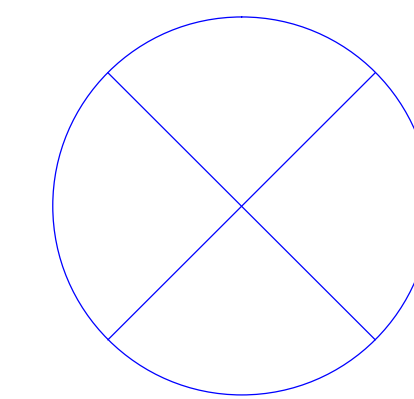
Reg. LED RGB



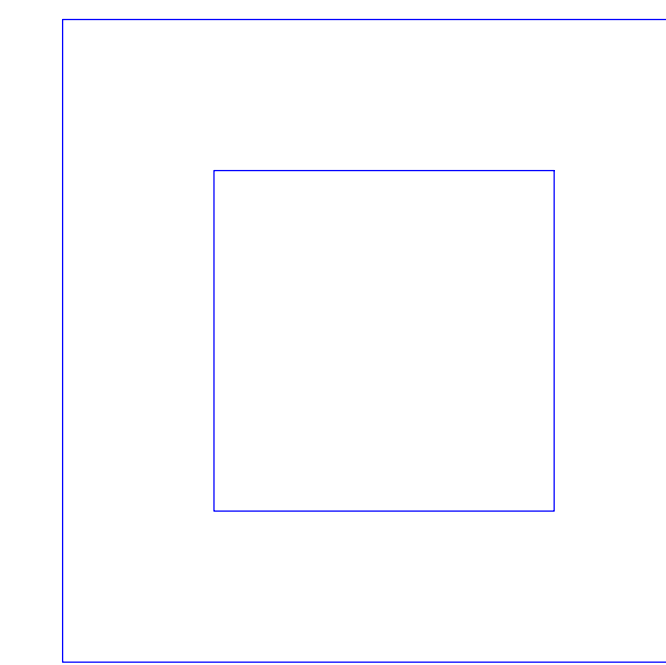
Sensor T^a



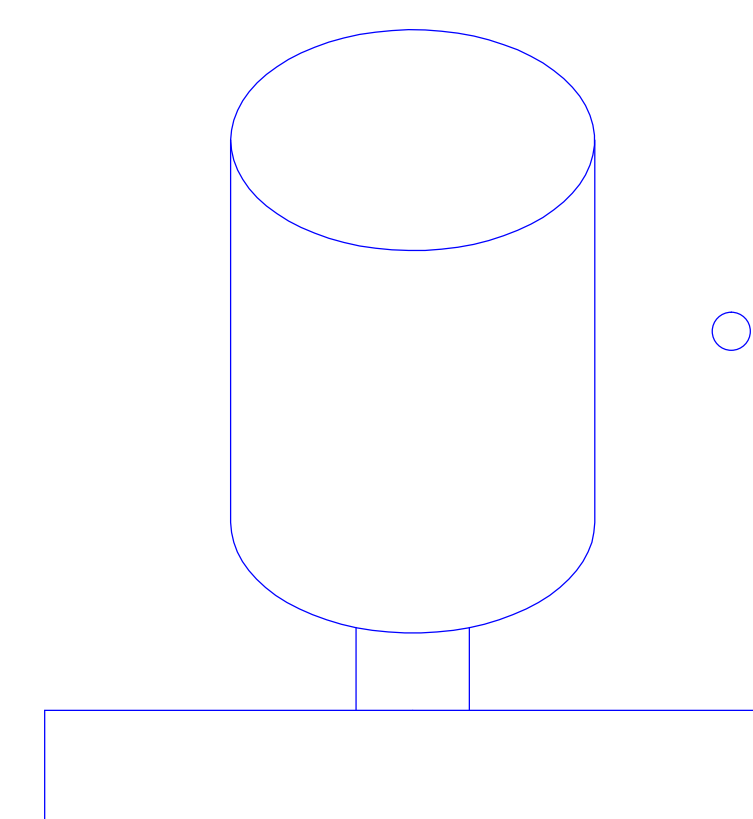
ZONA 2



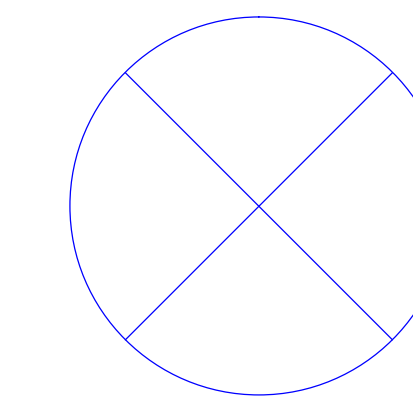
LED



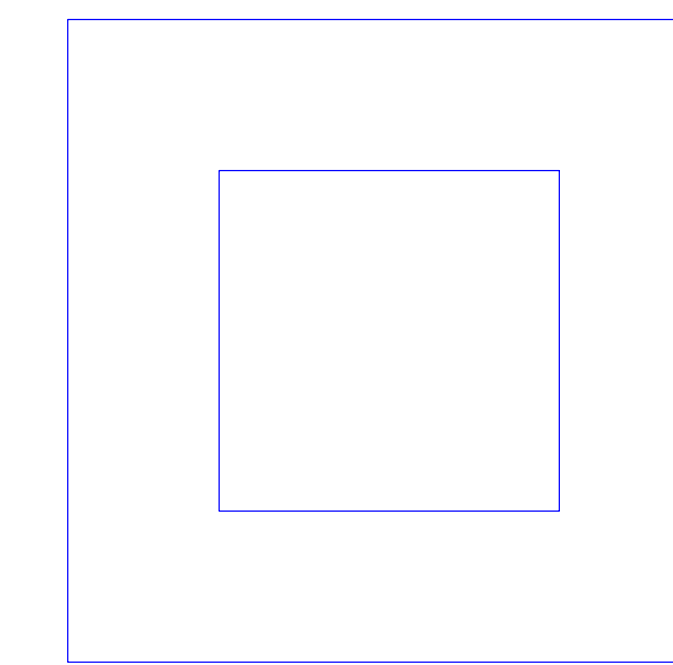
Sensor T^a



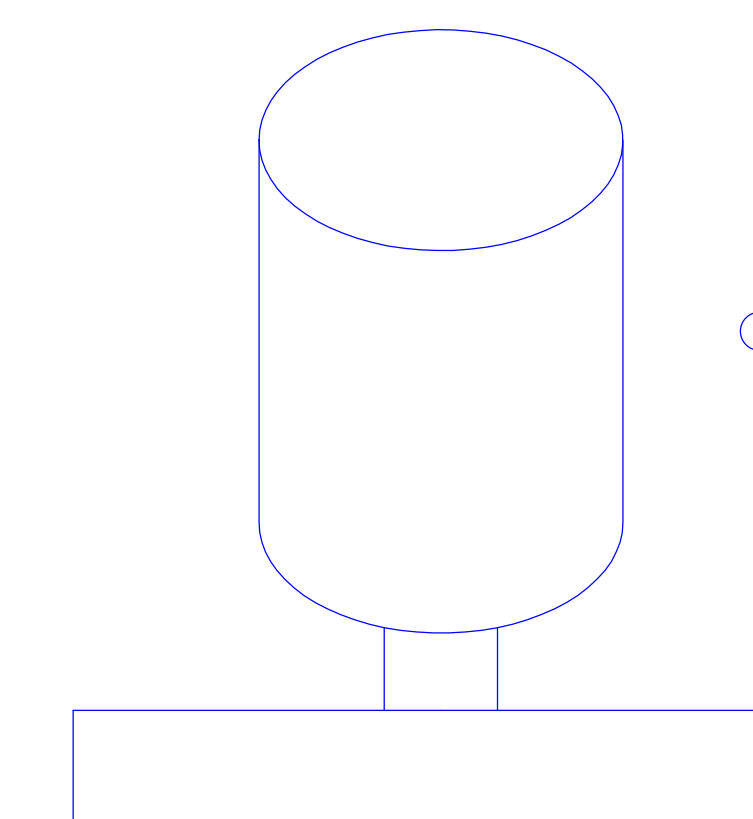
ZONA 3



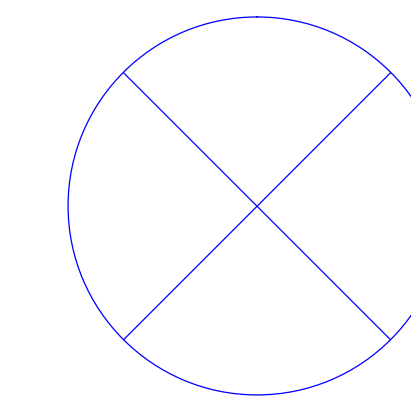
LED



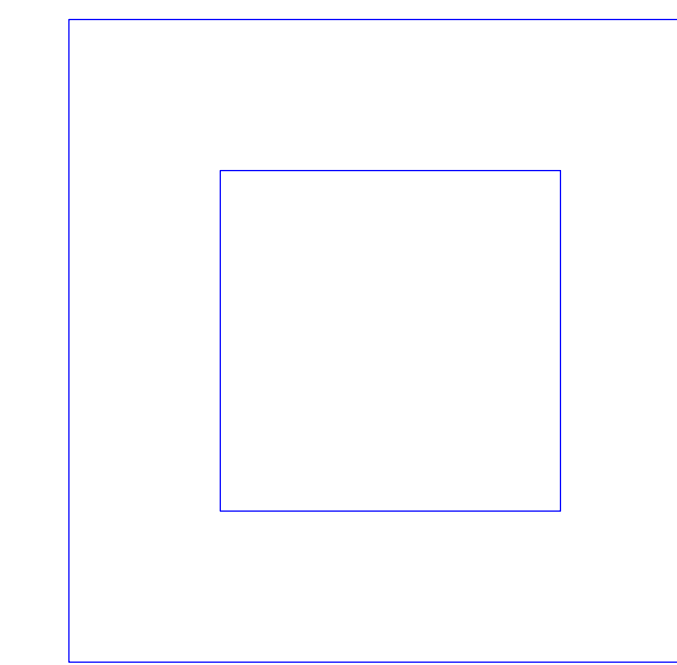
Sensor T^a



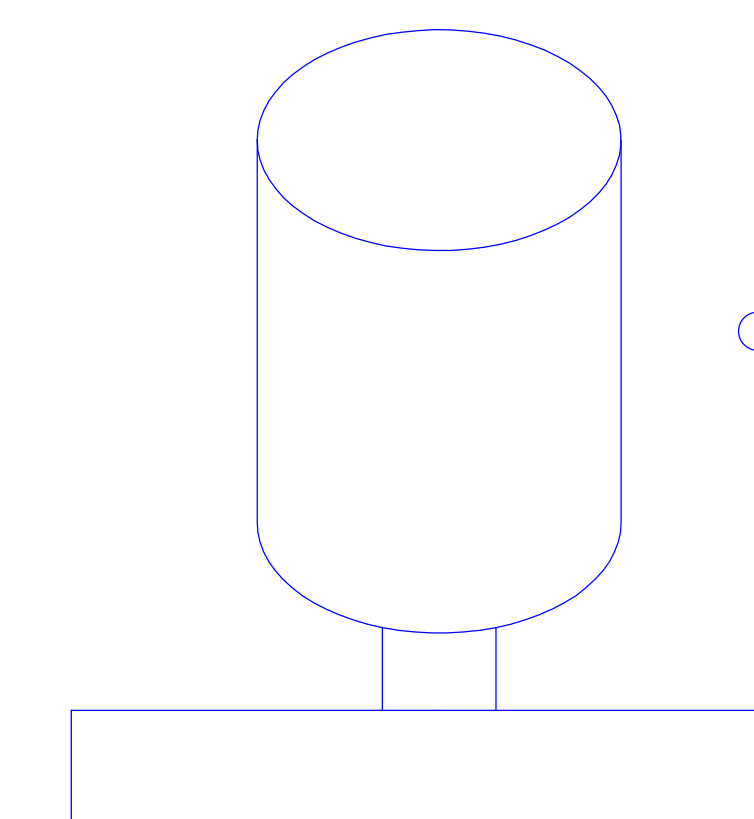
ZONA 4



Reg. LED

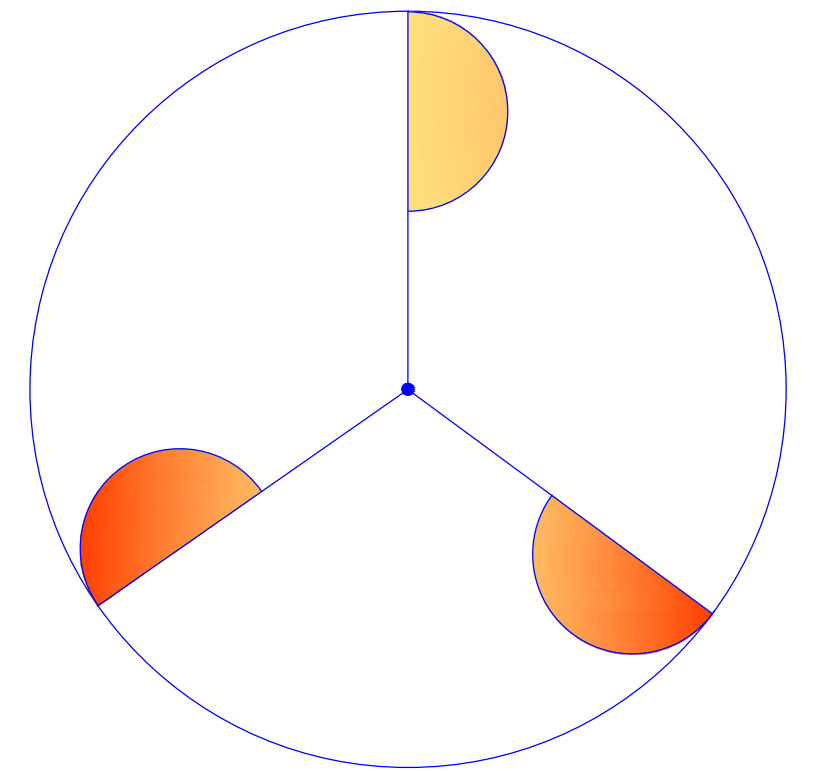


Sensor T^a

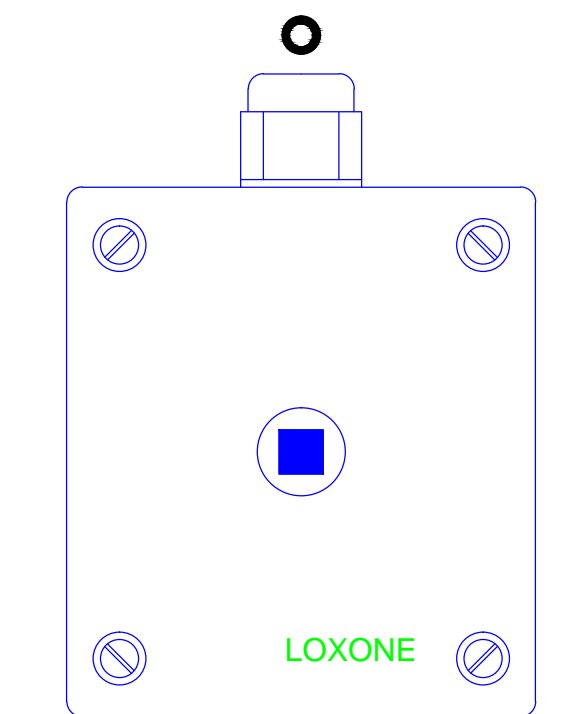


EXTERIOR

ANEMÓMETRO



Sensor Lum.
0-10 v



Sensor T^a
0-10 v

