

# RECURSOS - 2019

# STEM EN FEMININO

**RELATORA:** PAOLA GUIMERANS

[www.prototipadolab.com](http://www.prototipadolab.com)

[www.aulasteam.com](http://www.aulasteam.com)



**CFR**  
FERROL

centro de  
formación e recursos



XUNTA DE GALICIA  
CONSELLERÍA DE EDUCACIÓN  
E ORDENACIÓN UNIVERSITARIA

Google: E-téxtiles

Palabras chave:

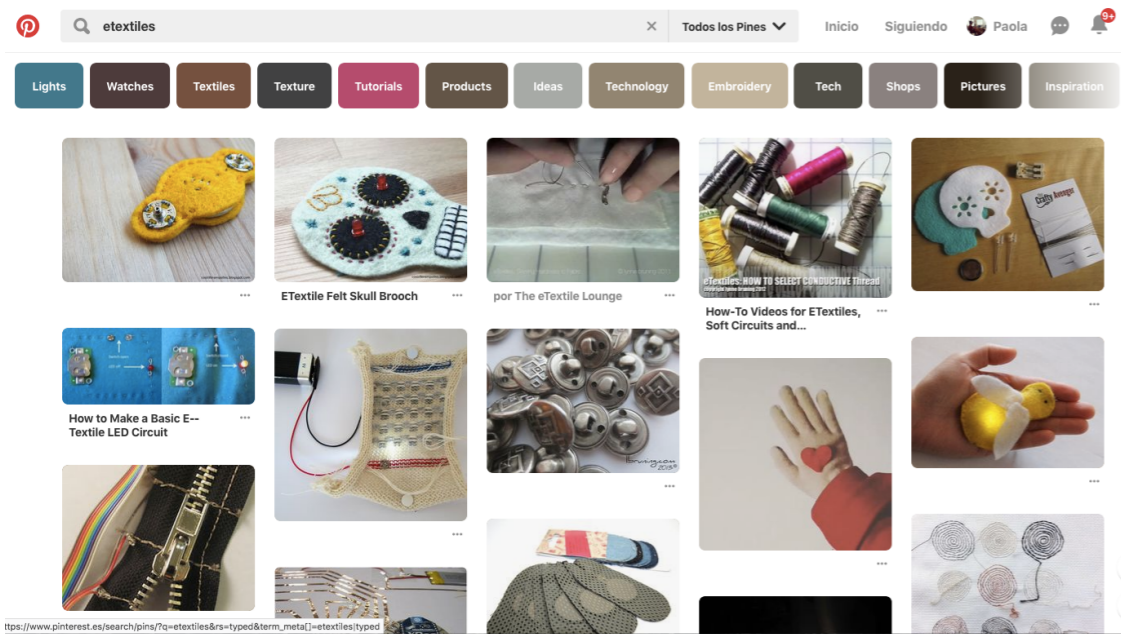
**E-textiles**

**Soft Circuits**

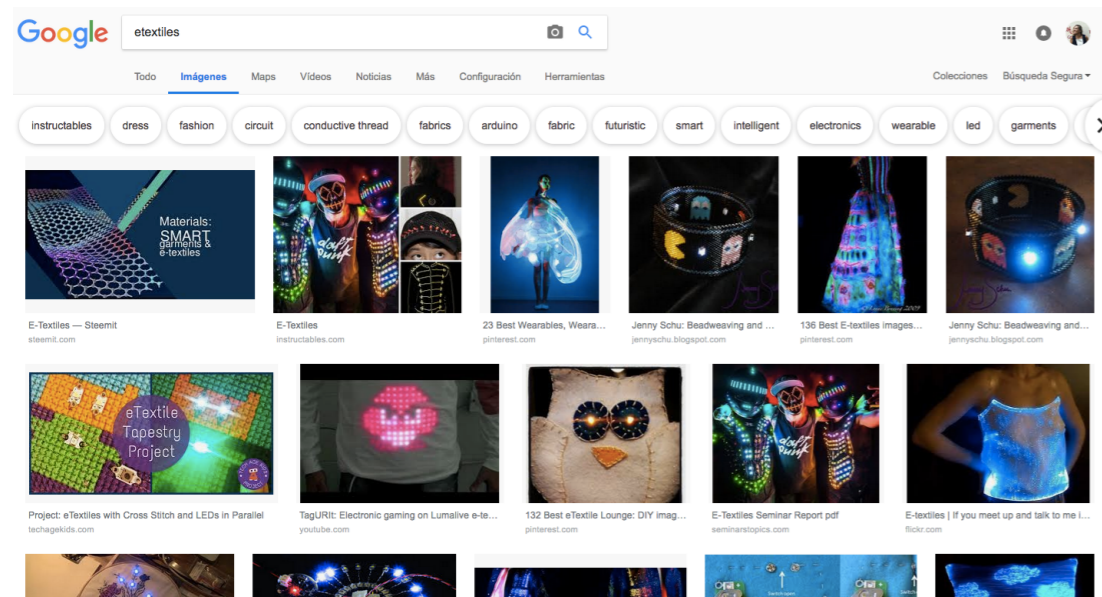
**Textiles electrónicos**

**Wearables**

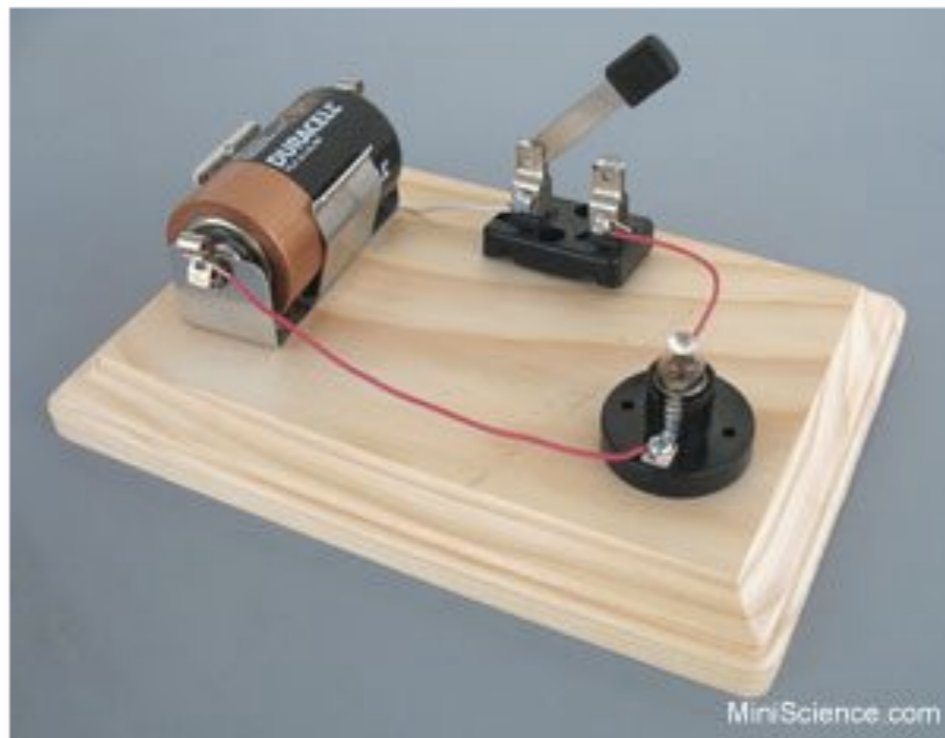
**Craft tech**



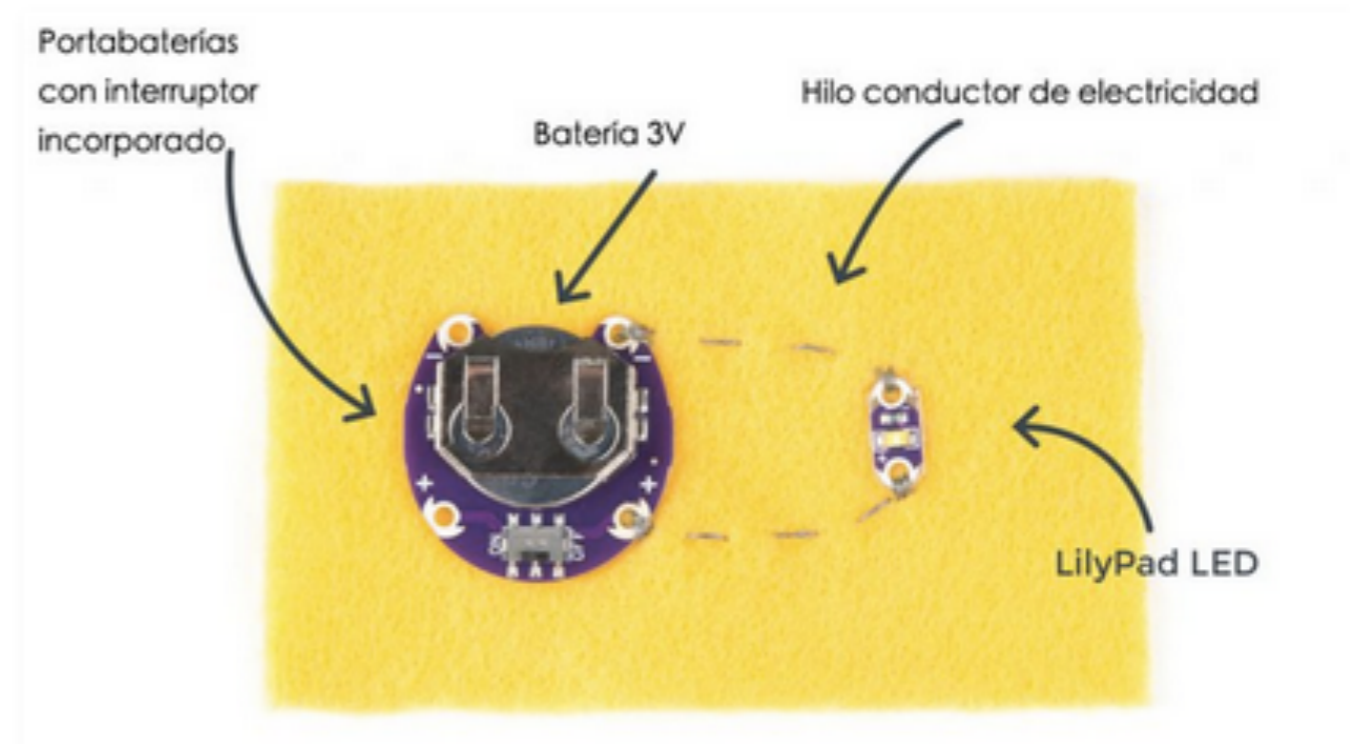
<https://www.google.es/>  
<https://www.pinterest.es/>  
<https://www.instructables.com/>  
<https://makezine.com/>  
<https://www.sparkfun.com/>



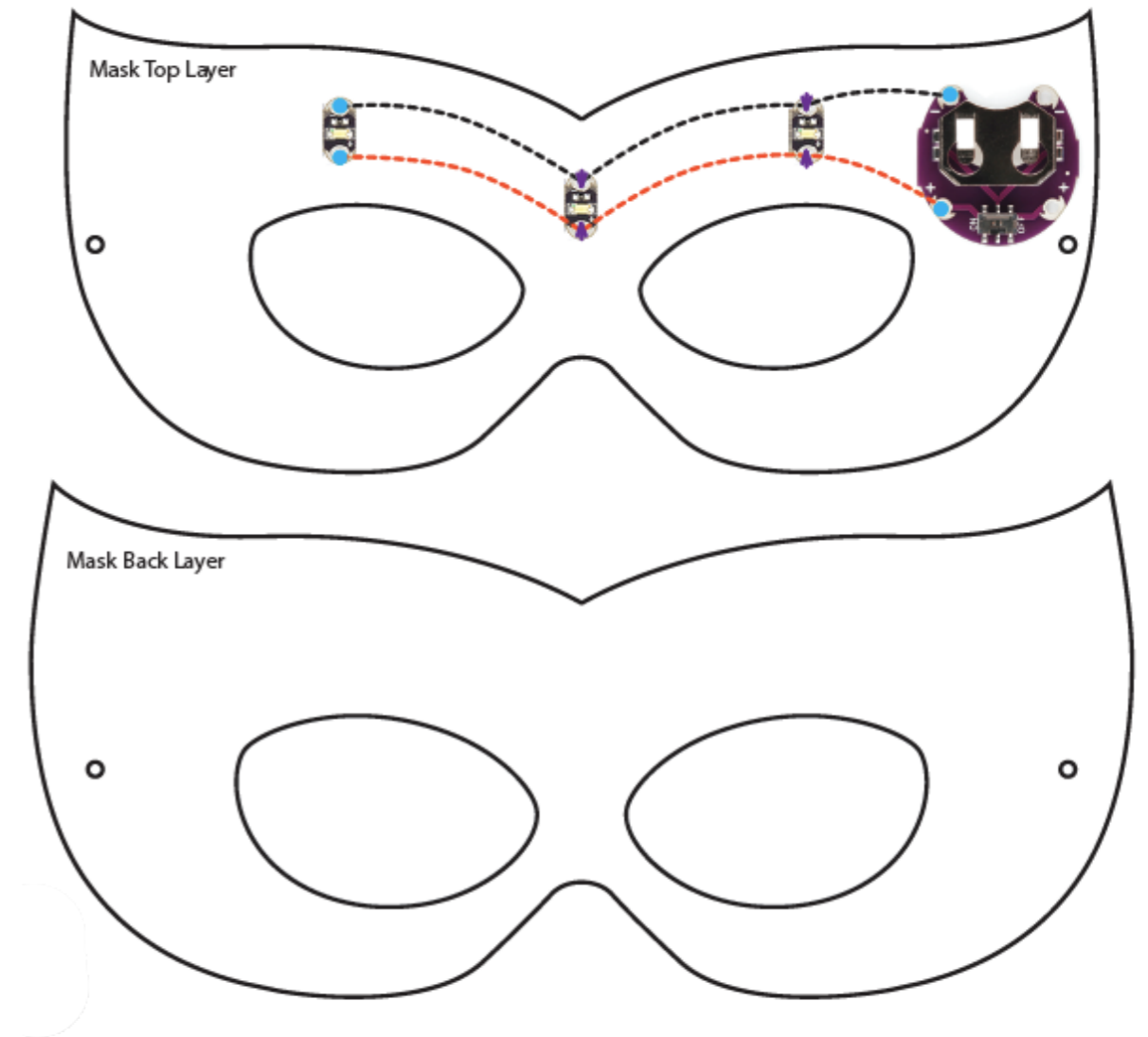
E-téxtiles



Circuito tradicional



Soft Circuit (E-Textile)



<https://learn.sparkfun.com/tutorials/e-textile-mask>

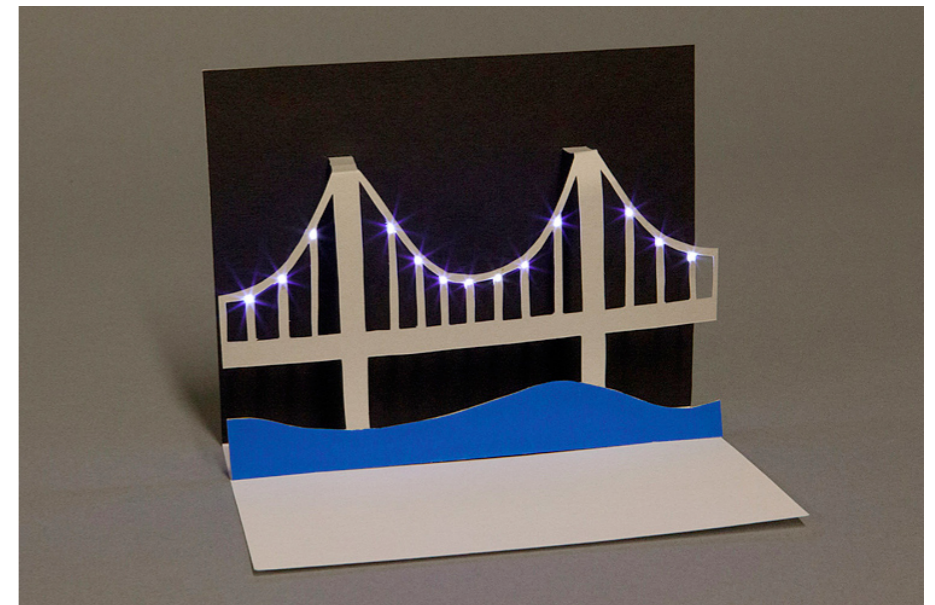
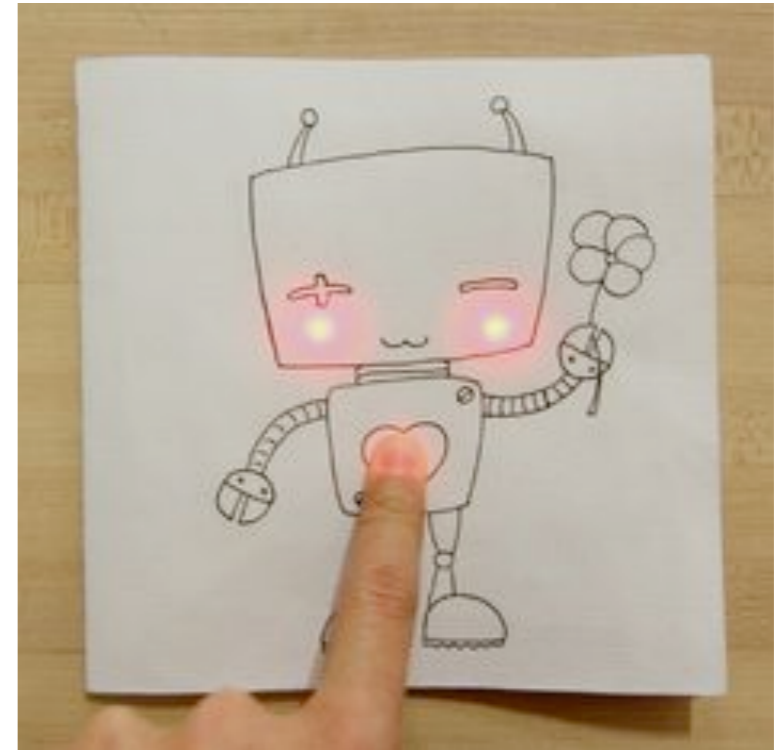


# Make a Paper Circuit

## Simple Circuit



Makerspaces.com/paper-circuits



<https://www.makerspaces.com/paper-circuits/>





[http://ledshoppe.com/index.php?route=product/product&product\\_id=936](http://ledshoppe.com/index.php?route=product/product&product_id=936)

World Chips



[https://es.aliexpress.com/es\\_home.htm](https://es.aliexpress.com/es_home.htm)

**( LEDs LilyPad )**





## DISTRIBUIDORES

<https://www.electan.com/conductive-thread-60g-stainless-steel-p-4110.html>  
<http://ultra-lab.net/producto/hilo-conductivo-60g/>



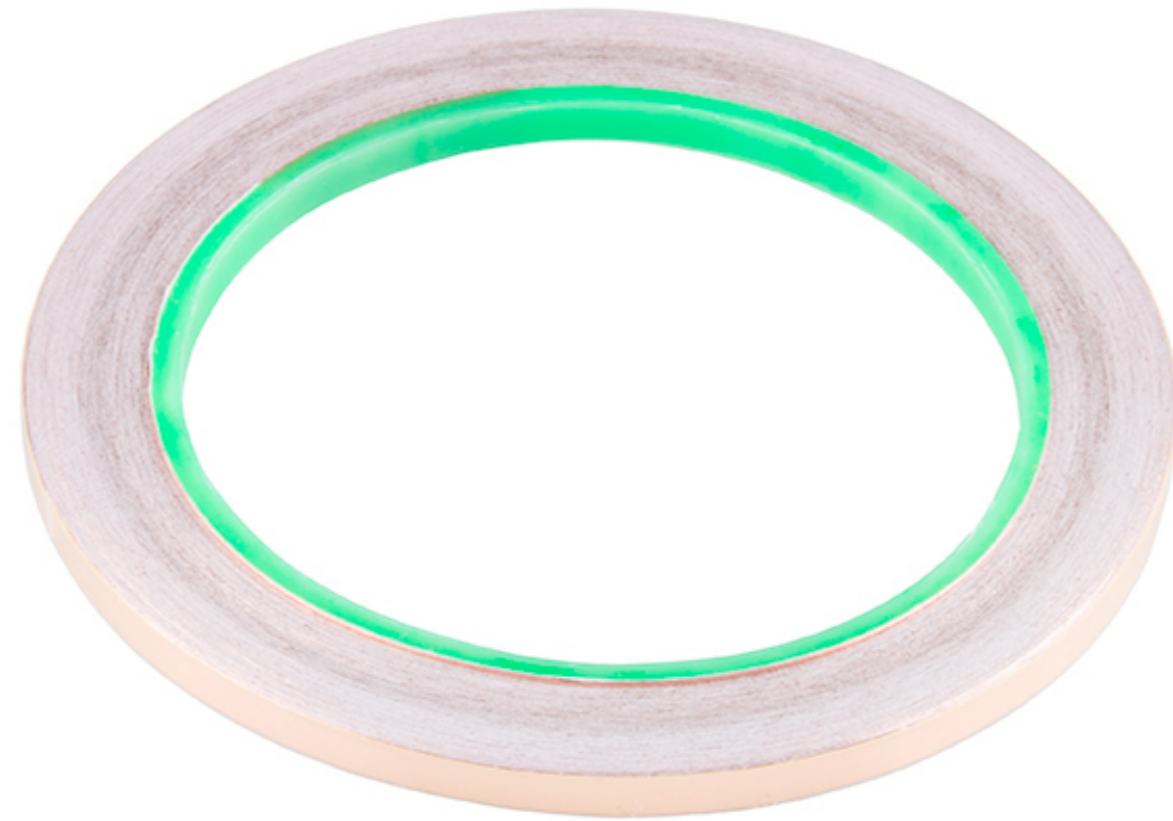
 **ELECTRO  
FASHION®**

<https://www.kitronik.co.uk/2744-electro-fashion-conductive-thread-250m.html>  
<https://www.kitronik.co.uk/2722-conductive-thread-50-yards-45m.html>



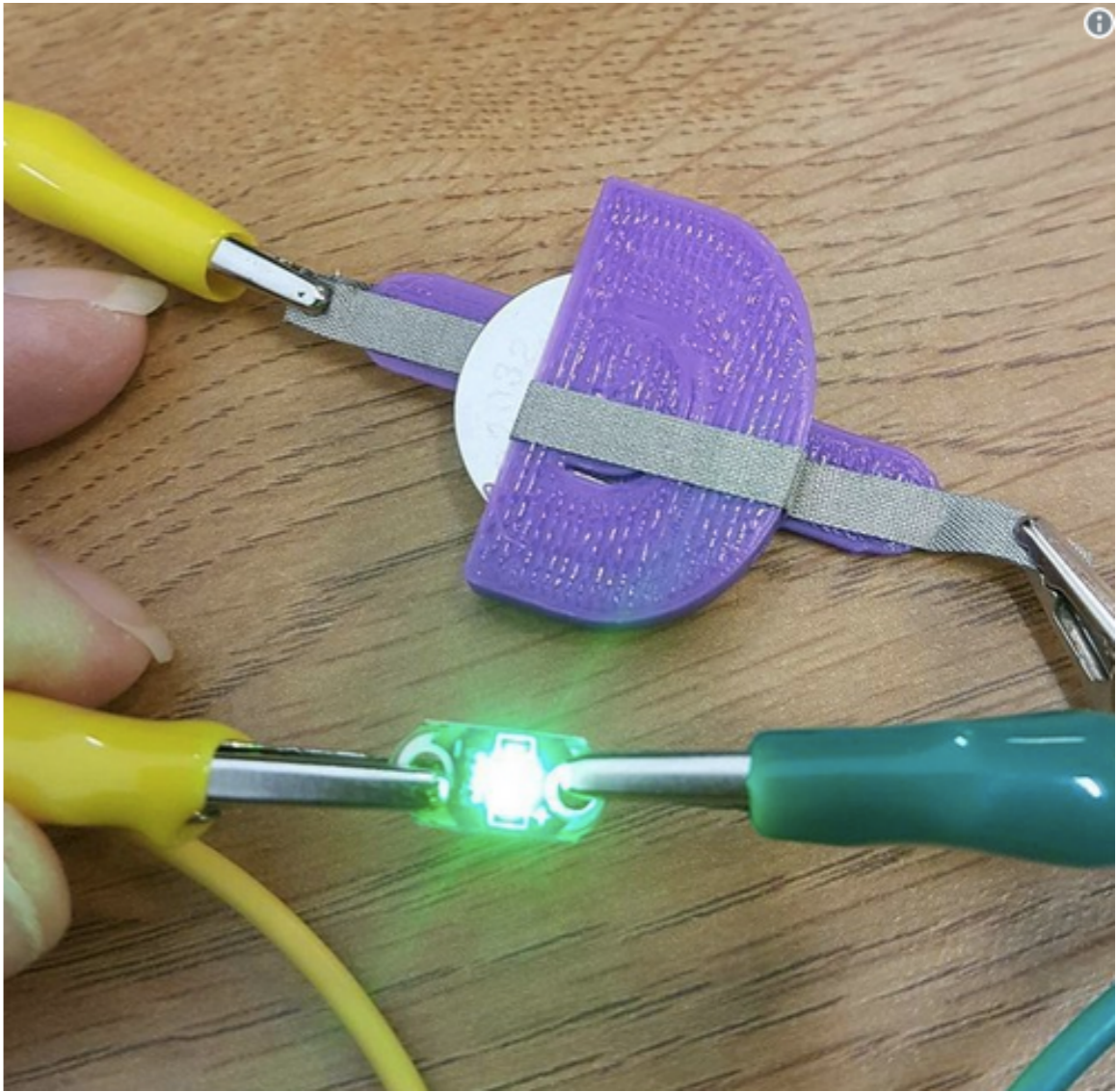
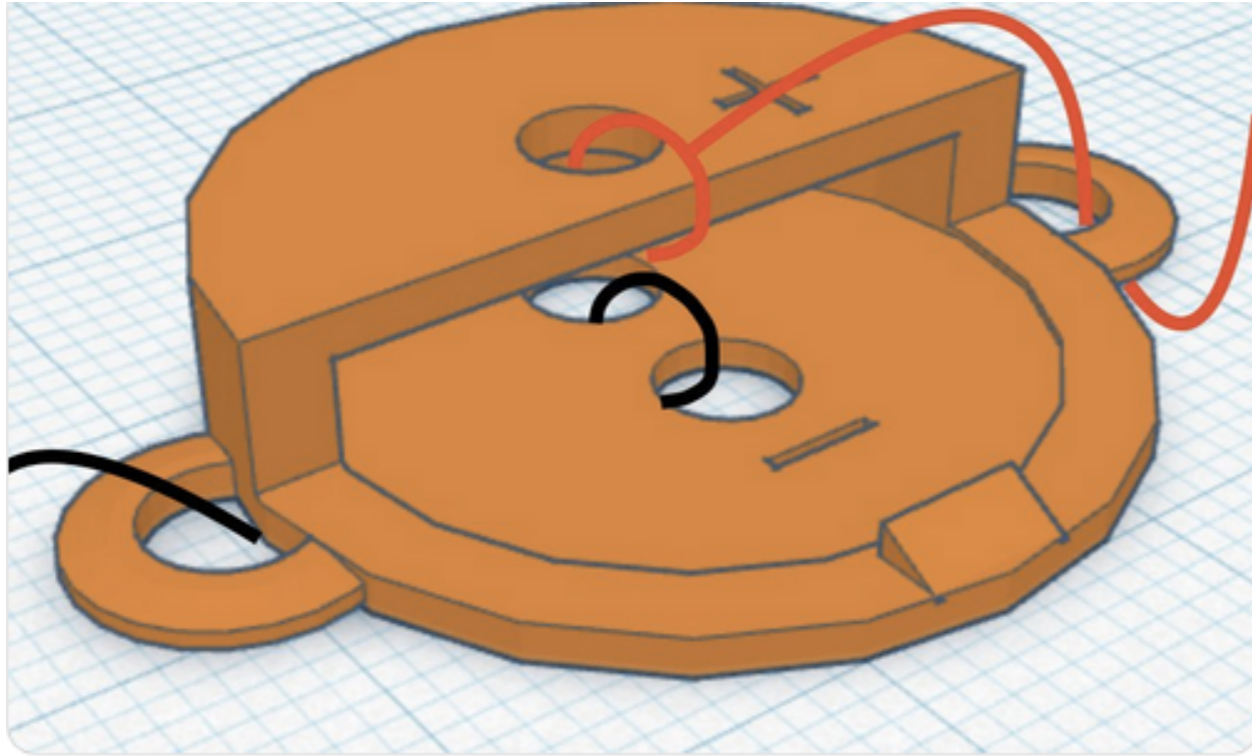
[https://www.amazon.es/Gikfun-EK2058U-conductor-inoxidable-liilipad/dp/B07DPJFDS9/ref=sr\\_1\\_5?ie=UTF8&qid=1550567616&sr=8-5&keywords=hilo+conductor](https://www.amazon.es/Gikfun-EK2058U-conductor-inoxidable-liilipad/dp/B07DPJFDS9/ref=sr_1_5?ie=UTF8&qid=1550567616&sr=8-5&keywords=hilo+conductor)





[https://www.amazon.es/PEMOTech-Paquete-conductor-adhesivo-6-35mm/dp/B01J7NI4XU/ref=sr\\_1\\_3?ie=UTF8&qid=1549983033&sr=8-3&keywords=Cinta+Cobre+Adhesiva](https://www.amazon.es/PEMOTech-Paquete-conductor-adhesivo-6-35mm/dp/B01J7NI4XU/ref=sr_1_3?ie=UTF8&qid=1549983033&sr=8-3&keywords=Cinta+Cobre+Adhesiva)

Porta baterías 3V



**From Tracy Rudzitis**

<https://www.tinkercad.com/things/i7EUf0qO18W>

**Erik Nauman**

<https://www.thingiverse.com/thing:2663569>

**Colleen Graves**

<https://www.tinkercad.com/things/dU4kTogxpjZ>

**Rob Morrill**

<https://www.thingiverse.com/thing:1888289>

**Benny Malengier**

<https://www.thingiverse.com/thing:250503>

<https://www.thingiverse.com/thing:265116>

<https://www.thingiverse.com/thing:79502>

**Andrew Comer**

<https://www.thingiverse.com/thing:653945>

**Beam Contrechoc**

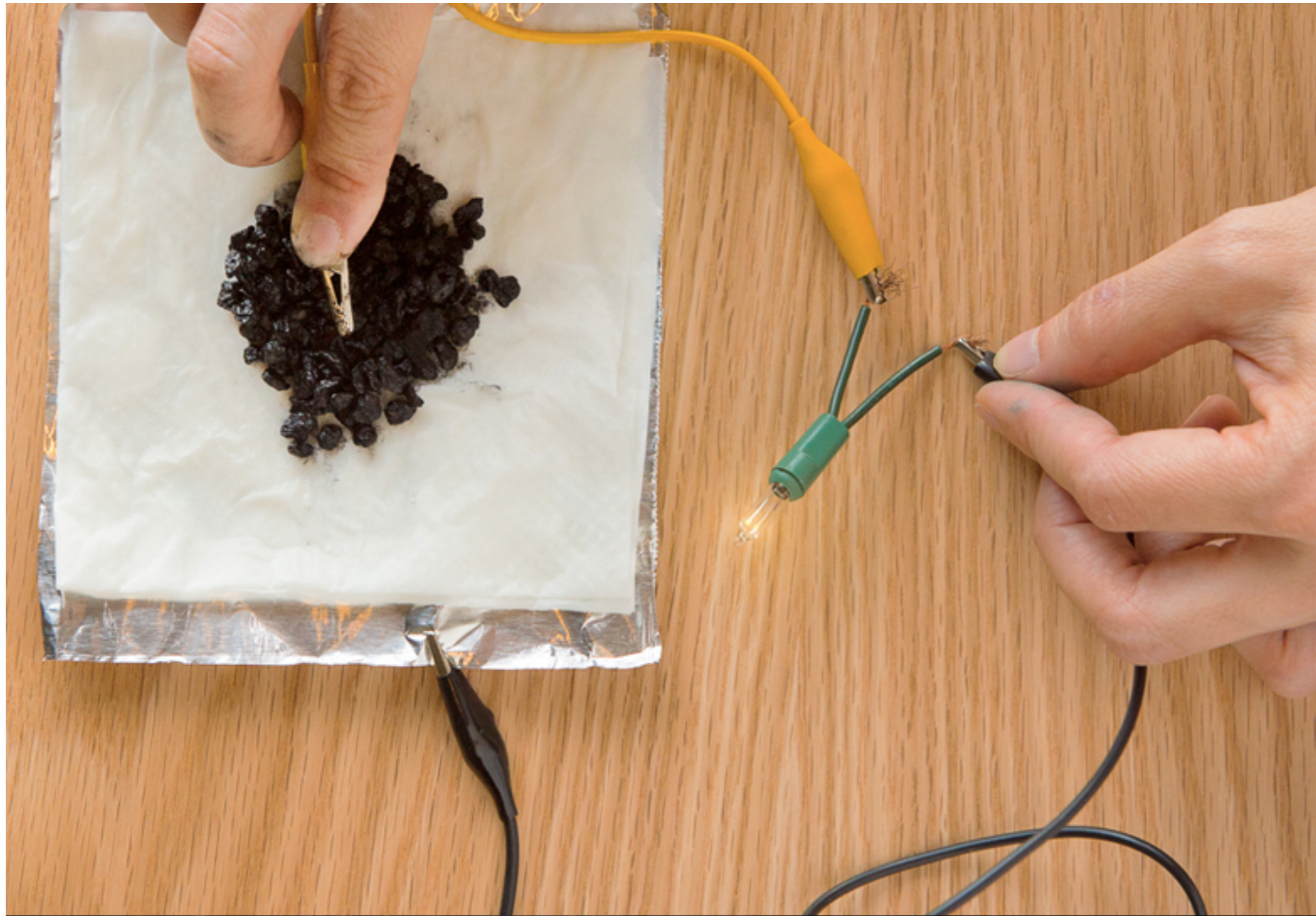
<https://www.thingiverse.com/thing:1627205>



<http://cosiriferampolles.blogspot.com/2014/10/tutorial-portapilas-de-fieltro.html>

<http://ohvillo.blogspot.com/p/e-textiles-portapilas.html>





<https://www.youtube.com/watch?v=xNPglaztiWQ>  
<https://www.exploratorium.edu/snacks/aluminum-air-battery>